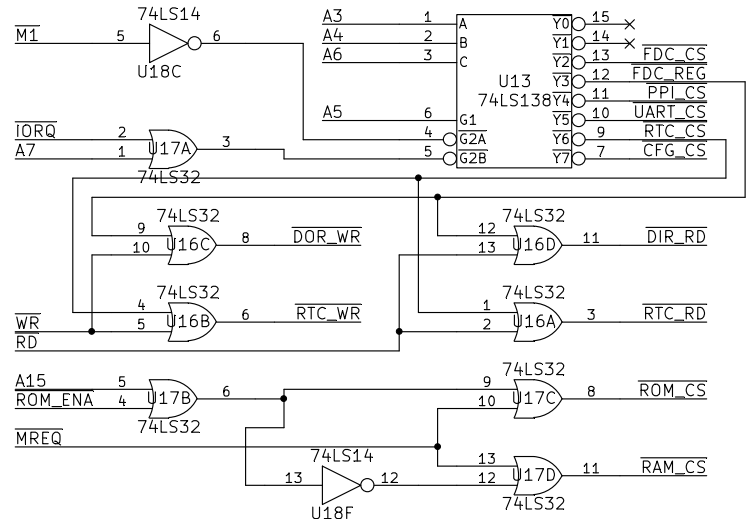
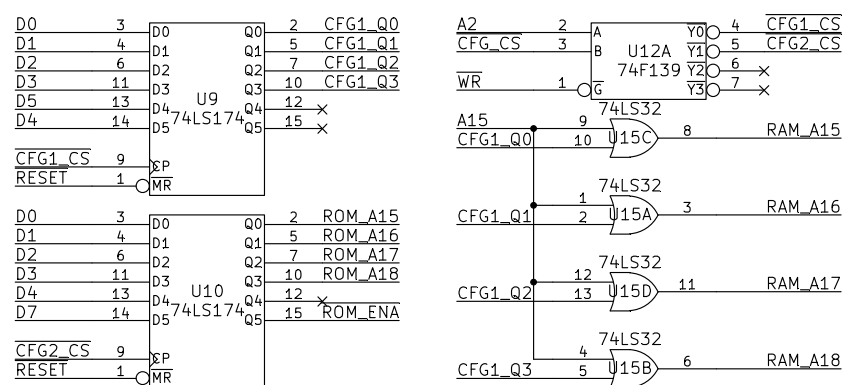


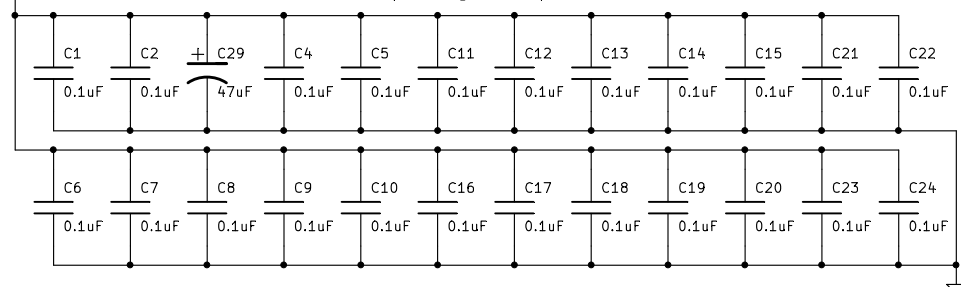
### Chip Select Logic



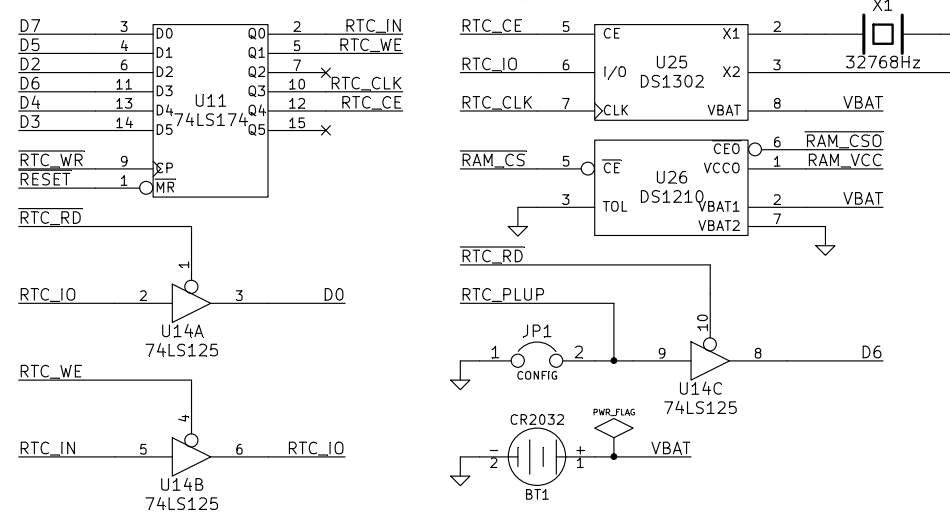
### Memory Paging Logic



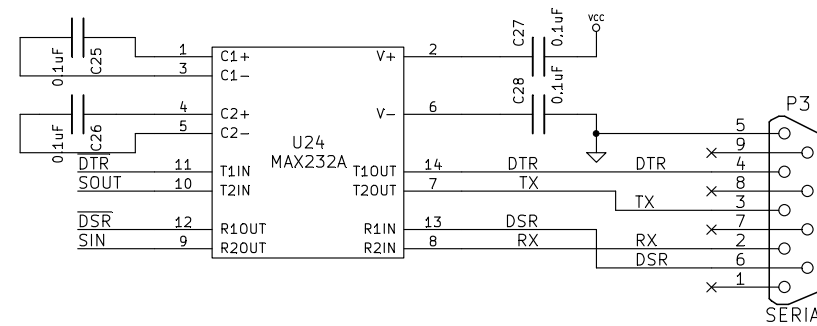
### Decoupling Capacitors



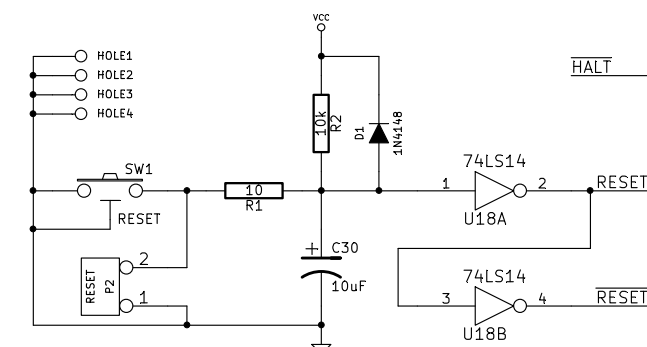
### RTC and Memory Backup



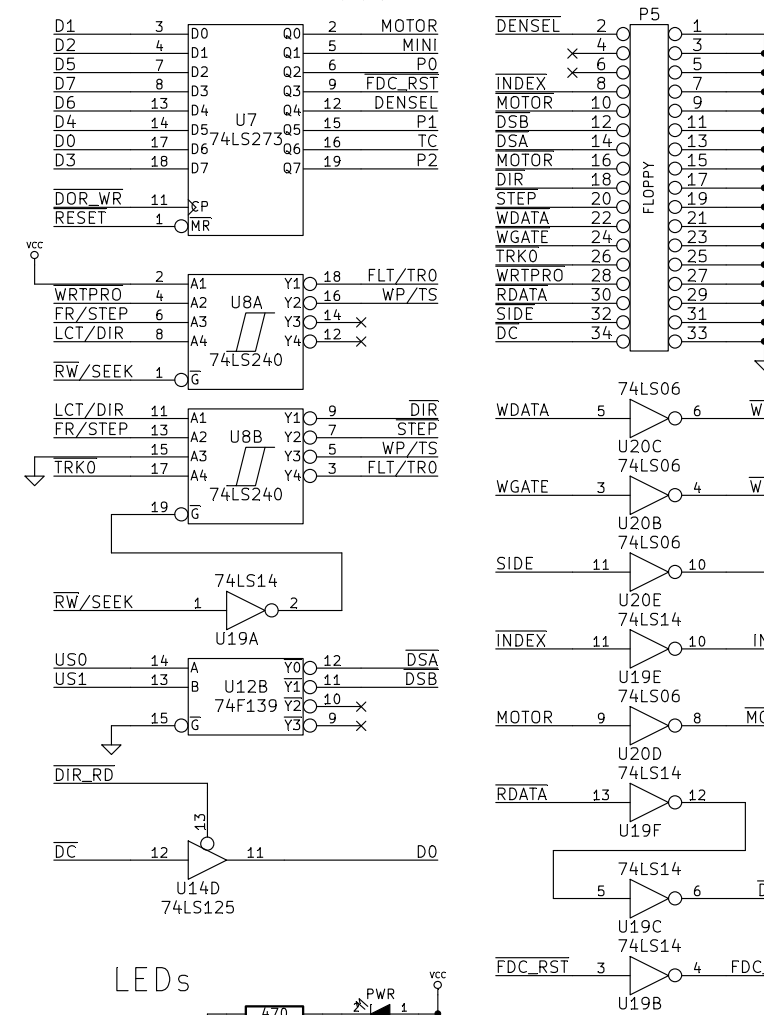
### Serial Interface



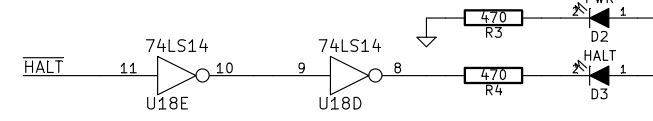
### Reset Circuit



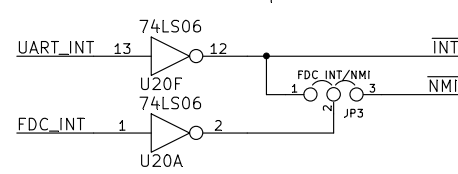
### Floppy Interface



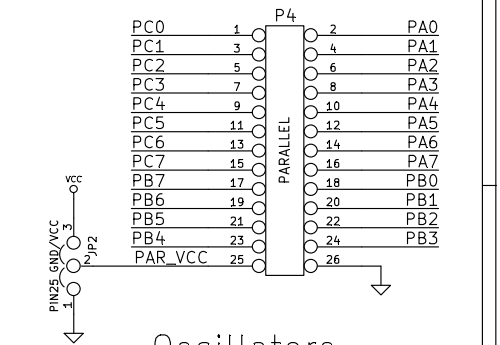
### LEDs



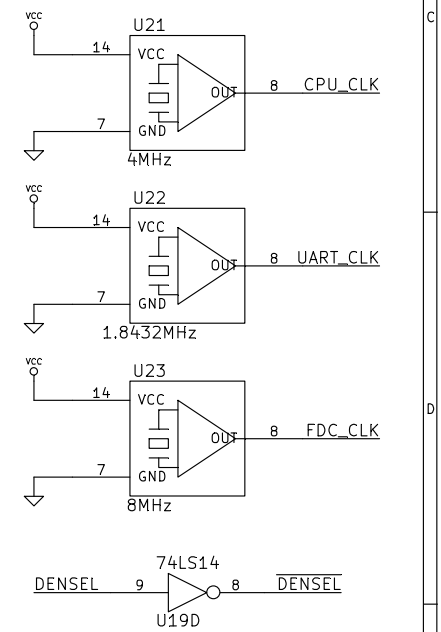
### Interrupts



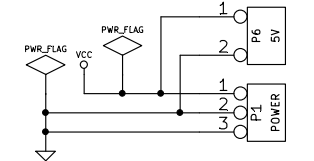
### Parallel Port



### Oscillators



### Power



### Pull-up Resistors

