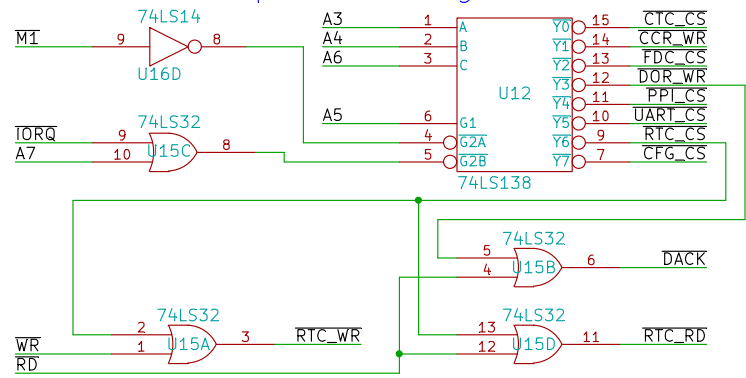
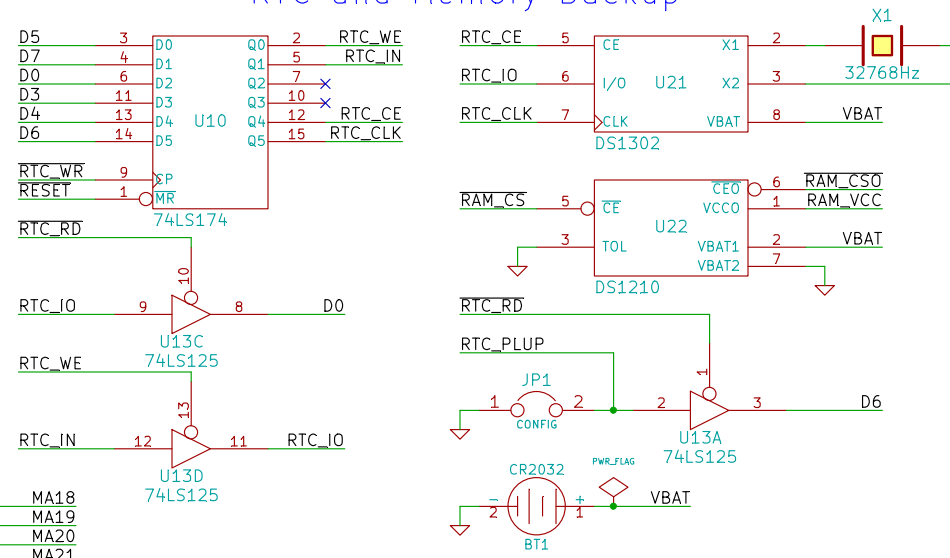


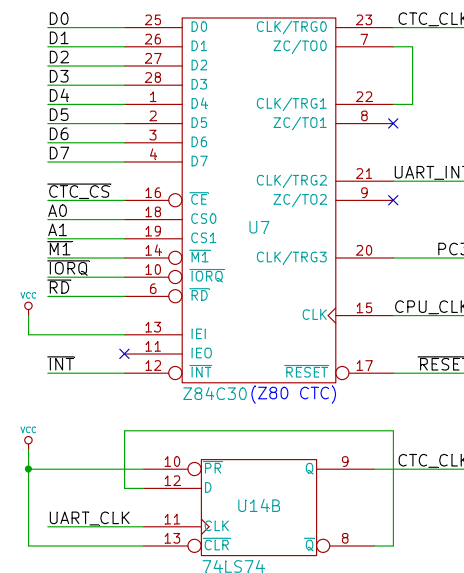
### Chip Select Logic



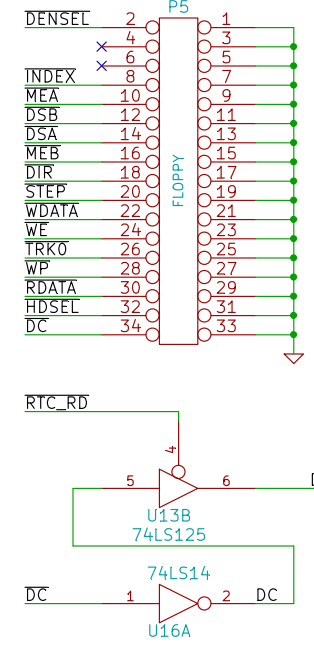
### RTC and Memory Backup



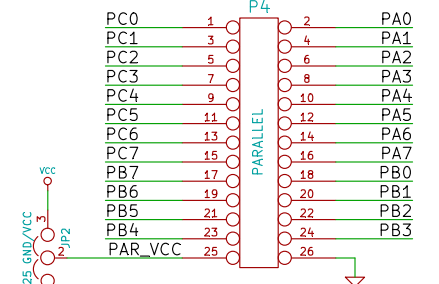
### Timer



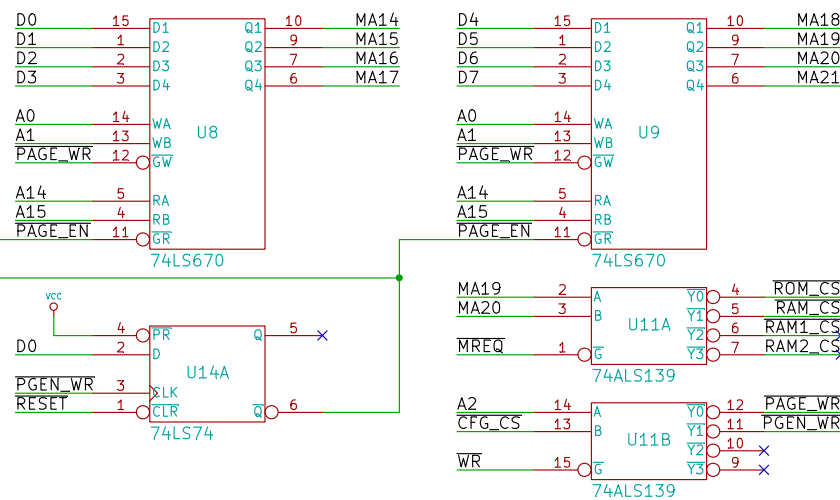
### Floppy Interface



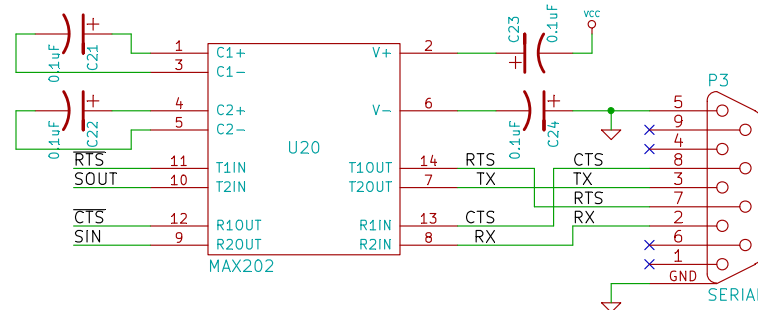
### Parallel Port



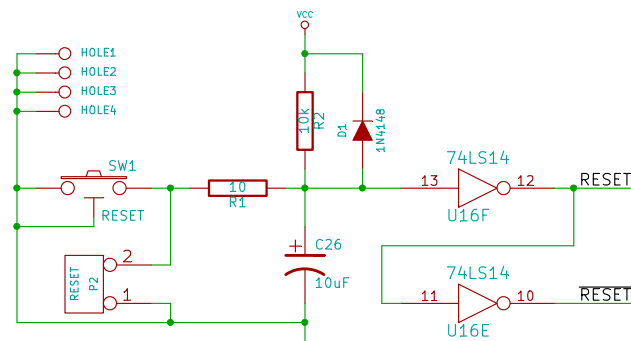
### Memory Paging



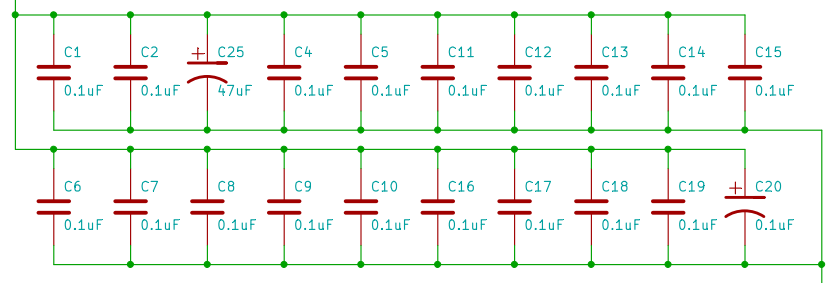
### Serial Interface



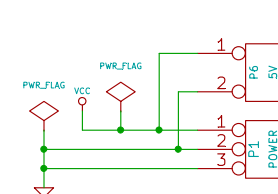
### Reset Circuit



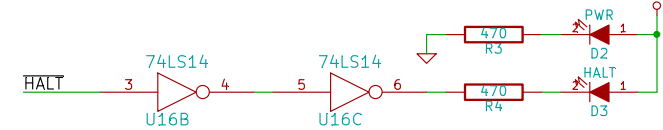
### Decoupling Capacitors



### Power



### LEDs



### Pull-up and Pull-down Resistors

