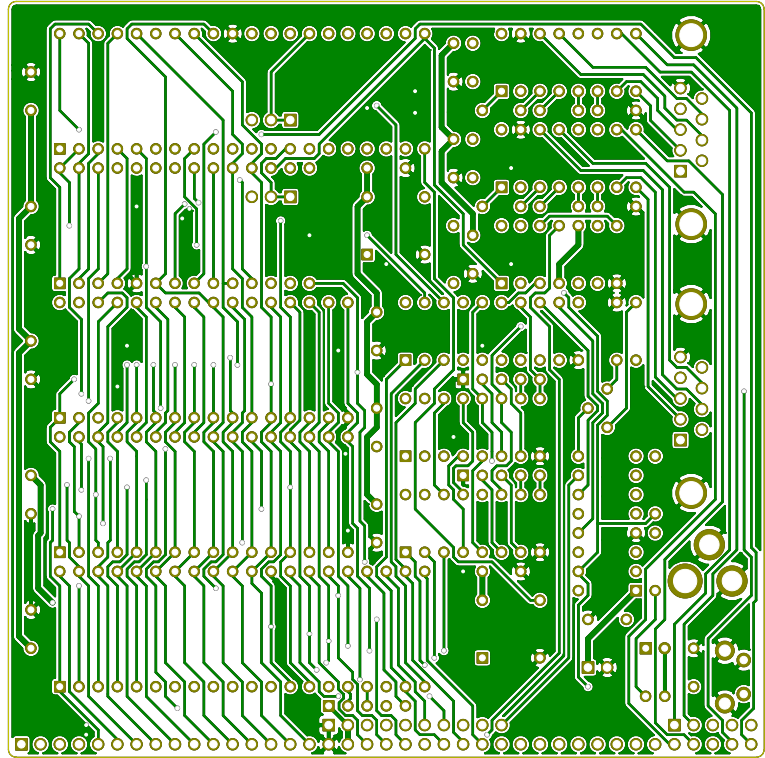


Sheet:
File: Easy_Z80.kicad_pcb

Title:

Size: A4 Date:
KiCad E.D.A. kicad 4.0.7

Rev:
Id: 1/1

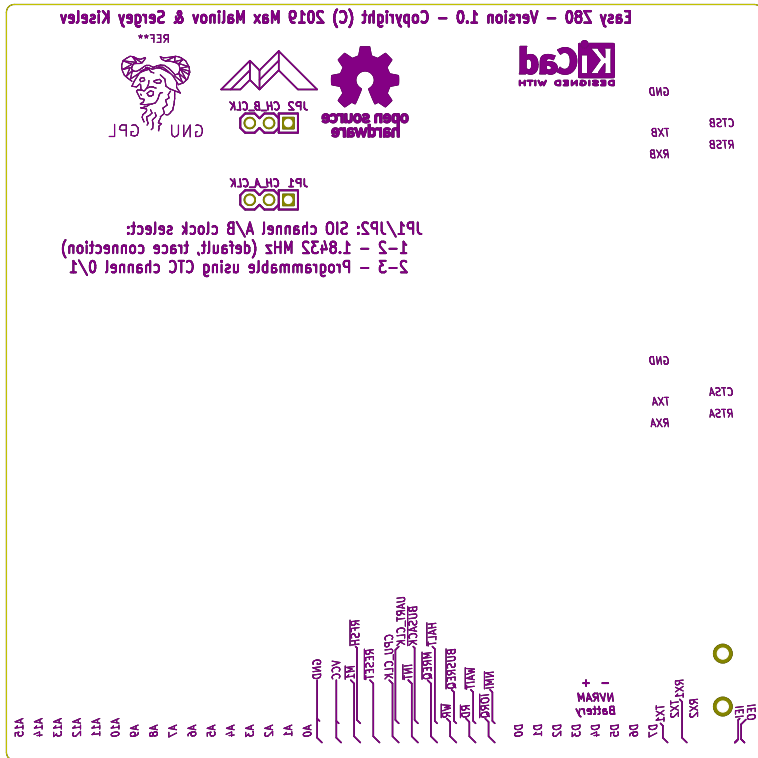


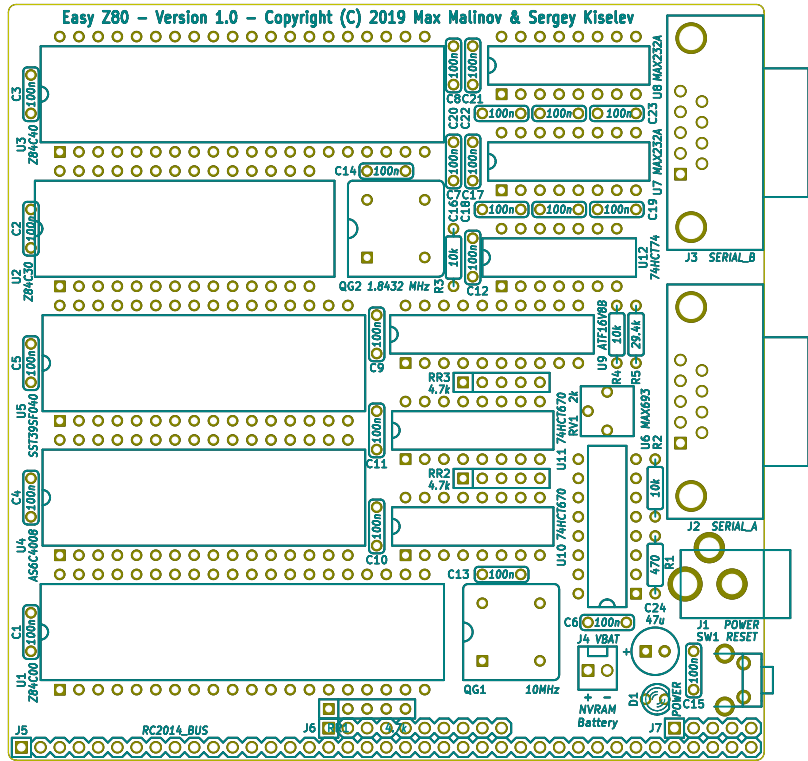
Sheet:
File: Easy_Z80.kicad_pcb

Title:

Size: A4 Date:
KiCad E.D.A. kicad 4.0.7

Rev:
Id: 1/1





Sheet:
File: Easy_Z80.kicad_pcb

Title:

Size: A4 Date:
KiCad E.D.A. kicad 4.0.7

Rev:
Id: 1/1